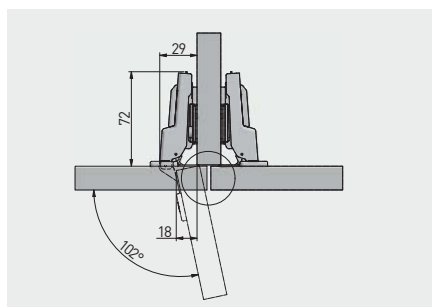


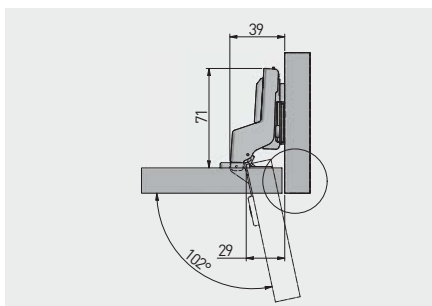
Scharnier SOLID, Mittelschlag
 Charnière SOLID, jumelle
 Bisagra SOLID, superacodada



ZP-BIDI08-3DBEO	H = 0	—	—	Nickel nickel níquel	Stahl acier acero



Scharnier SOLID, Innenanschlag
 Charnière SOLID, encastrée
 Bisagra SOLID, superacodada



ZP-BIDI07-3DBEO	H = 0	—	—	Nickel nickel níquel	Stahl acier acero

