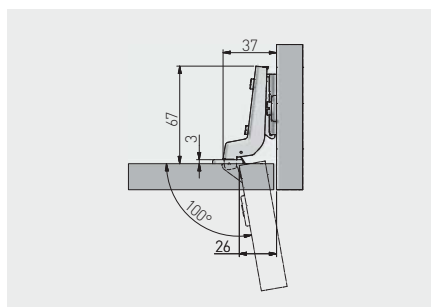


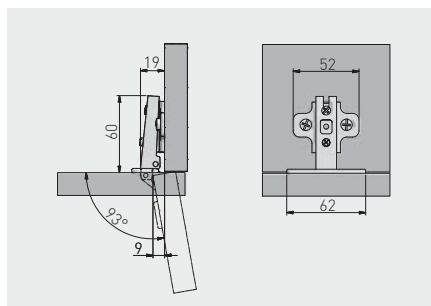
Scharnier CONL, Innenanschlag
 Charnière CONL, encastrée
 Bisagra CONL, superacodada



ZP-CONL07-BE	H = 0	—	—	Nickel nickel níquel	Stahl acier acero
ZP-CONL07-ZE		—	x 2		



Scharnier BICN, Eckanschlag
 Charnière BICN, appliquée
 Bisagra BICN, recta



ZP-BICN090BE	H = 0	—	—	Nickel nickel níquel	Stahl acier acero
ZP-BICN090ZE		—	x 2		
ZP-BICN092BE	H = 2	—	—	Nickel nickel níquel	Stahl acier acero
ZP-BICN092ZE		—	x 2		

