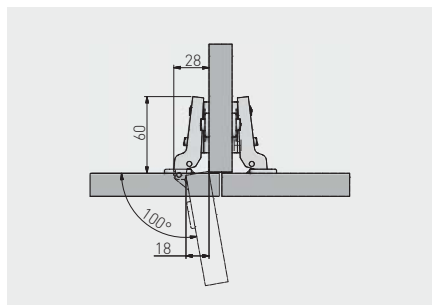


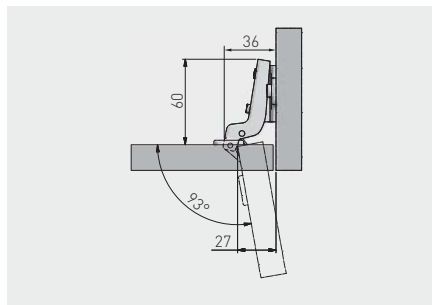
Scharnier BICN, Mittelschlag
 Charnière BICN, jumelle
 Bisagra BICN, superacodada



ZP-BICN080BE	H = 0	—	—	Nickel nickel níquel	Stahl acier acero	
ZP-BICN080ZE		—	x 2			
ZP-BICN082BE	H = 2	—	—			
ZP-BICN082ZE		—	x 2			



Scharnier BICN, Innenanschlag
 Charnière BICN, encastrée
 Bisagra BICN, superacodada



ZP-BICN070BE	H = 0	—	—	Nickel nickel níquel	Stahl acier acero	
ZP-BICN070ZE		—	x 2			
ZP-BICN072BE	H = 2	—	—			
ZP-BICN072ZE		—	x 2			

